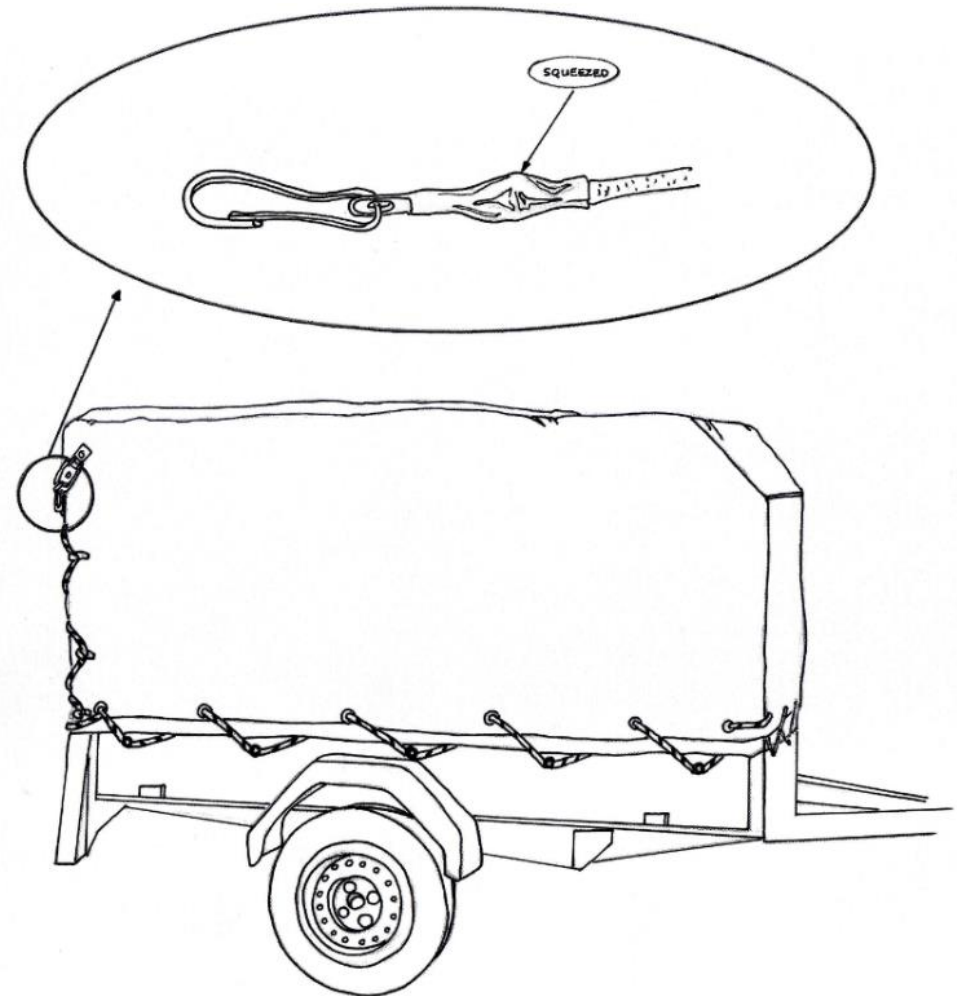


## INSTRUCTION FOR MOUNTING THE HIGH TARPULIN INCLUDING ELASTIC CORD

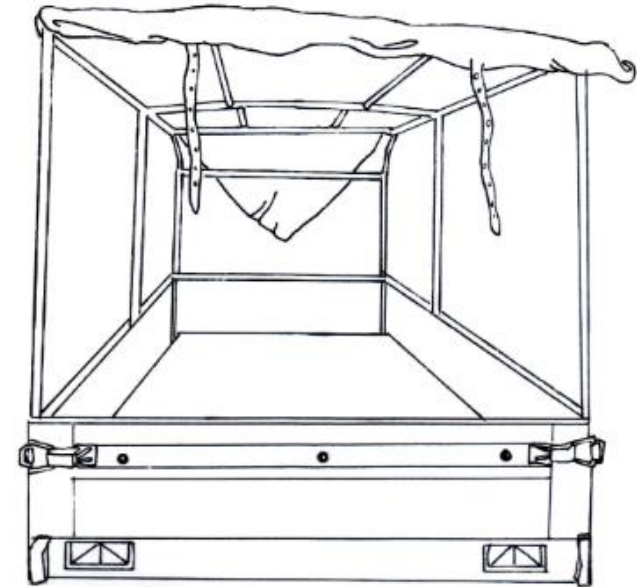
The short tarpaulin cord on the back of the trailer is mounted in the following manner:

1. Pull the tarpaulin cord through the hooks as shown sketch.
2. Mount the carabiner hook on the first side. Pressure clamp ring on the tarpaulin cord with one bidets (see illustration), using pliers or similar.
3. Adjust the length of the tarpaulin to fit tightly, when pulled through the hooks and around tarpaulin buttons.
4. Attach the carabiner on the other side in the same way by clamping the clamp ring together tarpaulin cord.  
Important: The length of the tarpaulin must be precisely adjusted as you cannot change the length once both carabiner hooks are attached.



The long tarpaulin cord is fastened in front and on both sides the following way:

1. Pull the tarpaulin cord through the eyes (see illustration)
2. Make a loop on one end of the elastic cord and fasten it with the clamping ring. The loop is attached to a tarpaulin button on trailer's tailgate.
3. Adjust the length of the tarpaulin to fit tightly, when pulled around all the tarpaulin buttons.
4. Make another loop at the other end the tarpaulin cord, which is held by a clamping ring. Lock attachment to a tarpaulin button on the other side of trailer's tailgate.



Flat Tarpaulin.

Similar process can be used for flat tarpaulins

