



'Always moving forwards'

Variant Australia
1, 2-6 Bonnal Rd
Erina, NSW 2250
02 4367 0026

info@varianttrailers.com.au
variant-trailers.com.au

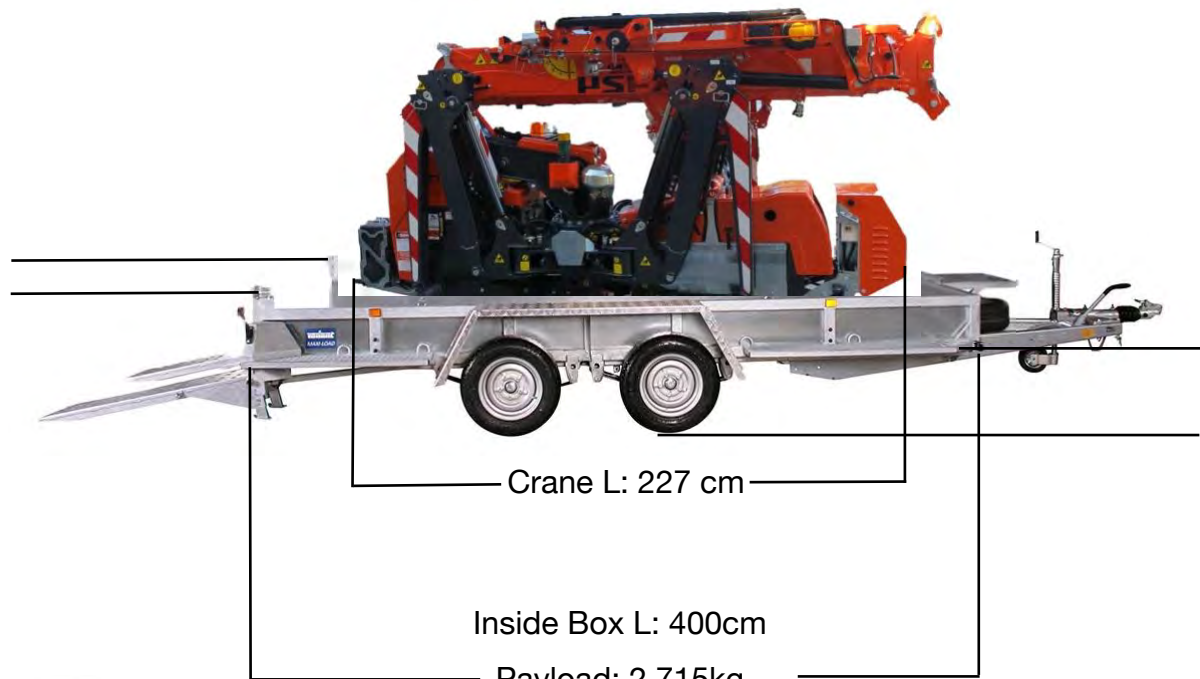
MD058440, ABN: 66 609 680 668
Compliance number 49635/49636

Beavertail trailer 3518 B4

Suitable for Jekko SPX 424 Crane

Galvanised steel sides and chassis for durability and longevity.
Dual axle with mechanical overrun brakes.

Inside Box
W: 180 cm



Bed
Height:
30 cm

Inside Box L: 400cm

Payload: 2,715kg

Tare: 785



		Kg
Crane & Options Weights:		SPX424CDH 2030 SPX424C+ 2130
		/ 200
		2.5T-D7 20
		PP400-4DX 45 PP220-4DX PP220-2DX
		JIB800GX 20 JIB800.1MX 80 JIB800.2H1MX 180
		MV600.3E+ 180
		MR800.4-6+4P 250



Dimensions

